



# HIGH POWER LED STREET LIGHT

## Application

- Road, street, walkway and other areas which need the illumination from the Road light

## Feature

- Built-in chimney effect heat dissipation structure with self-cleaning function.
- Patented modular structure to realize power serialization by changing module quantity.
- Flexible drive allocation options for different regions.
- Angle adjustable, easy replacement.
- Tool-free maintenance.
- 50,000 burning hours.

Compliance:



Components:

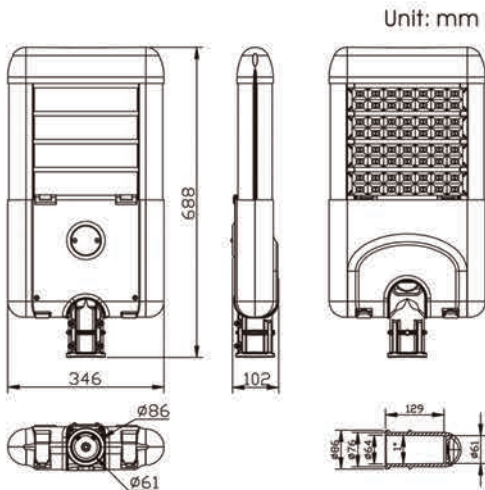


- 5 Years Warranty, IP66
- Wattages: 30W to 300W
- Optional input voltage solutions: 120-277Vac, 220-240Vac, 347-480Vac.
- with Unique and patented heat sink
- Easy assembly, easy installation, and easy maintenance
- Modular design, replaceable and upgradeable led light module(s).
- Adjustable fixture, easy tilting angle adjustment.
- Die cast aluminum housing

- Advanced LED technology with higher system efficacy achieving up to 60% or more energy savings than any typical conventional HPS lighting solutions-
- Unique optics and photometrics design optimize the light distribution to comply with safety and road lighting standards in terms of illuminance, luminance, uniformity and glare control.
- Dynamic dimming options allows further significant energy savings during off peak hours.

## Technical Specification

Model No.	LED Power (W)	Module Qty	Initial Luminous Flux (5000K)	CCT	Driver Efficiency	Lamp Dimension(mm)
JED ST AS30	30W	01	2870 lm	5000±3000K	>91%	L502×W346×H102
JED ST AS60	60W	02	5655 lm	5000±3000K	>91%	L564×W346×H102
JED ST AS90	90W	03	8265 lm	5000±3000K	>91%	L626×W346×H102
JED ST AS120	120W	04	11250 lm	5000±3000K	>91%	L688×W346×H102
JED ST AS150	150W	05	13950 lm	5000±3000K	>91%	L750×W346×H102
JED ST AS180	180W	06	16650 lm	5000±3000K	>91%	L812×W346×H102
JED ST AS210	210W	07	19440 lm	5000±3000K	>91%	L874×W346×H102
JED ST AS240	240W	08	22140 lm	5000±3000K	>91%	L936×W346×H102
JED ST AS270	270W	09	24930 lm	5000±3000K	>91%	L998×W346×H102
JED ST AS300	300W	10	27720 lm	5000±3000K	>91%	L1060×W346×H102



JED ST AS120  
120W

## Photometric Data

